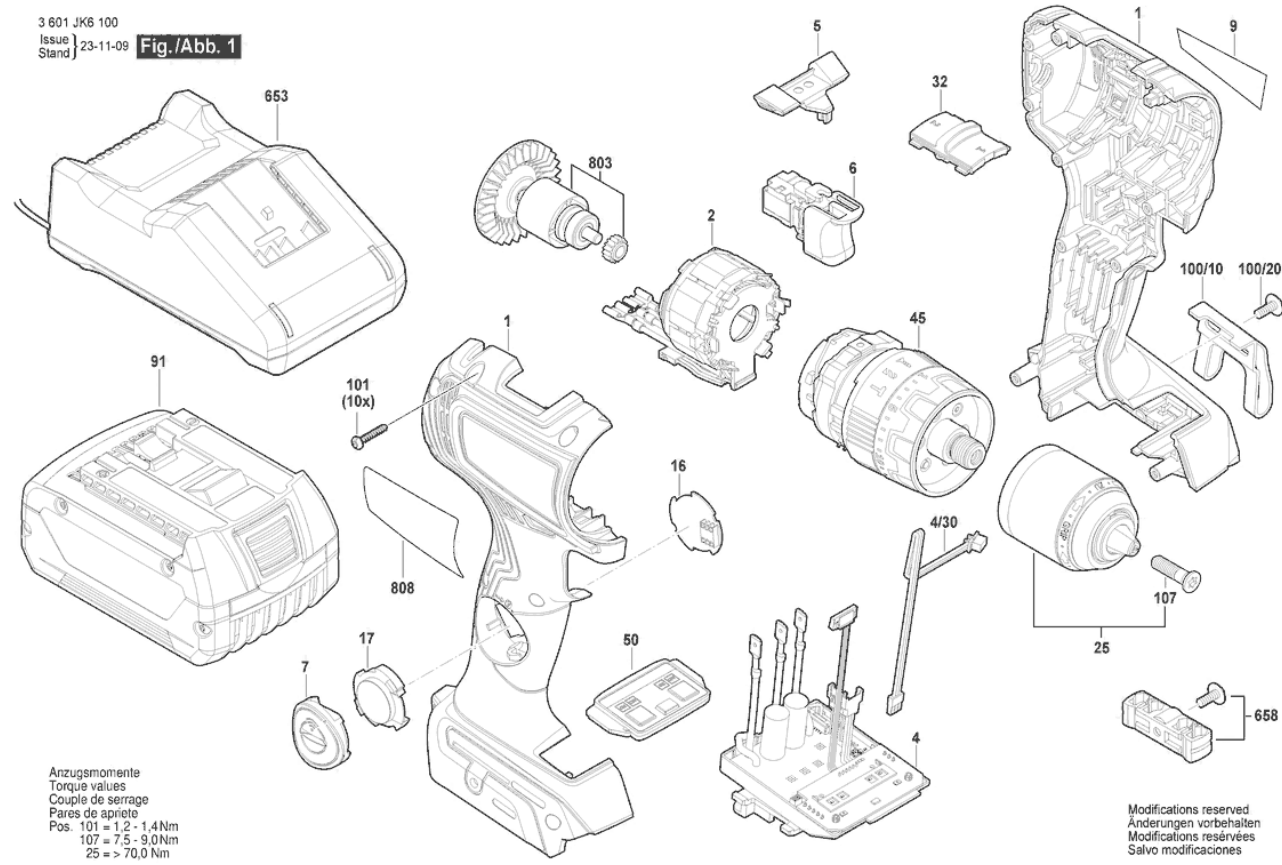


Illustration - Type - E



Spare parts list

Item	Part Number	Description	Illustration
1	1 600 A01 V6W	Housing	1
2	1 600 A01 W0T	Stator	1
4	1 607 233 5JS	Electronics Module	1
4/30	1 607 504 124	Printed-Board Assembly	1
5	1 600 A02 3EE	Changeover Lever	1
6	2 607 202 904	Switch	1
7	1 600 A02 5PZ	Cover unit	1
9	1 601 11C 4MG	Manufacturer's nameplate	1
16	1 600 A01 6CZ	Electronics Module	1
17	1 600 A02 KY7	Cover Panel	1
25	1 600 A01 22S	Keyless Chuck	1
32	1 600 A02 477	Switchover Unit	1
45	1 600 A01 24V	Gear Box	1
50	1 600 A02 5W9	Separator	1
91	1 607 A35 0MA	Battery Pack GBA 18V 2.0AH	1
91	2 607 337 085	Battery Pack	1
100/10	2 609 111 584	Clip	1
100/20	2 609 110 834	Screw	1
101	2 609 110 353	Torx Oval-Head Screw	1
107	2 603 421 229	Countersunk-Head Screw M6X23 LEFTHAND THREADS	1
653	2 607 226 251	Fast Charger	1
653	2 607 226 263	Fast Charger ROK GAL 18V-40	1
658	2 609 199 748	Bit holder	1
803	1 600 A02 9PG	Rotor	1
808	1 601 11A 90X	Nameplate	1